

# PYRA FLASHING LIGHTS 15 JOULE

## PY X-L-15 | PY X-L-15-CPR



Powerful flashing light with 15J in an extreme robust enclosure for any outdoor and indoor application with IP66 and IK08

- Huge visual 3D-coverage area, more as double as a 10J flashing light
- Easy and safe installation design for failure free mounting in shortest time
- Approvals: EAC, UL or VdS, EN54-23 for any markets including fire alarm applications
- Selectable flash frequency and synchronized flash, one fits all and avoiding of epilepsy
- Option: control input to activate flash, direct control via PLC

 protection system	 impact-proof housing	 operating temperature	 DC version	 CPR version only lens red and clear	 CPR version	 UL	 warranty	 EAC
--	---	--	---	--	--	--	---	--

PRODUCT		PY X-L-15				CPR
DATA						
Rated voltage		230 V AC	115 V AC	24 V AC	24 V DC	24 V DC
		AC 50   60 Hz			DC	
Operating range		187–255 V	90–135 V	21,6–26,4 V	19,2–28,8 V	19,2–28,8 V
Nominal current consumption		150 mA @ 1 Hz	300 mA @ 1 Hz	890 mA @ 1 Hz	540 mA @ 1 Hz	700 mA @ 1 Hz
Flash energy and flash rate		15 J @ 0,1   0,5   0,75   1 Hz				
Light source		xenon flash tube				
Light intensity (DIN 5037) <sup>1</sup>		190 cd				
Max. viewing distance		320 m				
Operating temperature		–40 °C ... +55 °C				
Storage temperature		–40 °C ... +70 °C				
Relative humidity		max. 90 %				
Degrees of protection		IP 66 (EN 60529) / NEMA 4/4X				
Impact resistance as per EN 50102		IK08				
Protection class		II				
Service life of light source		light emission still 70 % after 8,000,000 flashes				
Material	housing	PC/ABS, RAL 3000 <span style="color:red">●</span>   PC/ABS, RAL 7035 <span style="color:gray">●</span>				
	lens	<span style="color:red">/</span> <span style="color:white">●</span> <span style="color:yellow">●</span> <span style="color:orange">●</span> <span style="color:red">●</span> <span style="color:green">●</span> <span style="color:blue">●</span> polycarbonate (PC)				
Cable entry		4x M20 (prepared)				
Sealing range of diaphragm nipple		7–13 mm - With the use of cable diameters <7 mm, a cable screw joint with sufficient ingress protection must be provided				
Connecting terminal		0,14 - 2,5mm <sup>2</sup> fine wire / AWG 24 - AWG 14 (stranded)				
Weight (net)		690 g				660 g

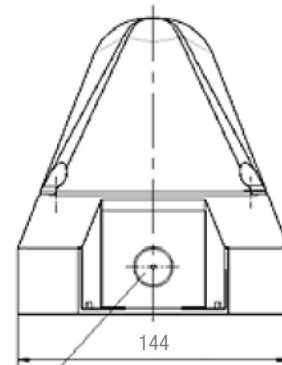
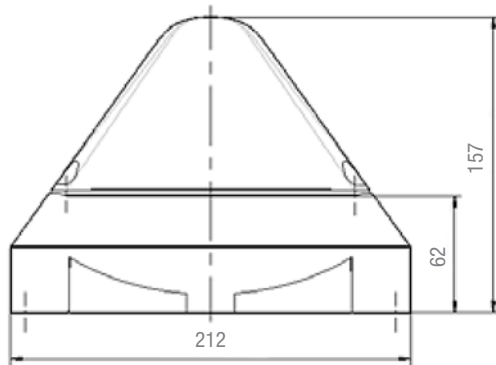
<sup>1</sup> with a clear lens

### OPTIONS/ACCESSORIES

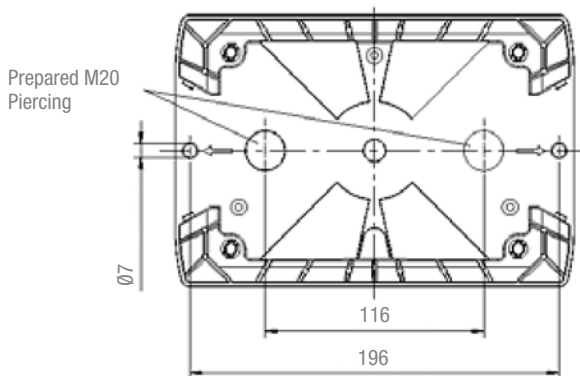
<b>Surface gasket</b>	<b>Tamper-proof sealing</b>	<b>Panel mounting kit</b>
-----------------------	-----------------------------	---------------------------

**DIMENSIONS**

**PY X-L-15**



Prepared M20 Piercing



ARTICLE NO.		PY X-L-15		PY X-L-15-CPR
HOUSING COLOUR	LENS COLOUR	230 V AC	24 V DC	24 V DC
●	/			21561801020
●	●	21561103000	21561803000	on request (VdS)
●	●	21561104000	21561804000	on request (VdS)
●	●	21561105000	21561805000	21561805050
●	/			on request
●	●	21561103055	21561803055	on request (VdS)
●	●	21561104055	21561804055	on request (VdS)
●	●	21561105055	21561805055	on request

Article numbers for other colours and voltages on request.

**CONFORMITY TO STANDARDS**

The visual characteristics of flashing lights conform to the European standard DIN EN 842; “Machine safety – visual alarm signals”.

Requirements contained in the DIN EN 981 standard; “Machine safety – system of acoustic and visual alarm and information signals”, can be fulfilled.

The colours “red” for the emergency signal and “yellow” for the warning signal conform to the requirements of IEC 73 / DIN EN 60073 / VDE 0199; “Coding of display devices and control elements using colours and supplementary means”.

References to visual alarm devices can be found in the following standards:

- EN 60825-1      Radiation safety of laser devices, identical to IEC 825 and DIN-VDE 0837
- DIN EN 54      Fire alarm systems
- DIN 54113-2    Radiation protection regulations for the technical operation of X-ray equipment up to 500 kV