

FLASHING LIGHTS 5/10/15 J

BExBG05 | BExBG10 | BExBG15 ATEX



The flashing light is ideal for almost all mounting requirements: side, ceiling and floor mounting.

- Categories 2G (Zones 1 and 2), 2D (Zones 21 and 22).
- Extremely bright at up to 15 joules flash energy.
- Large connection box for simple mounting.
- Also available with connection box in increased safety version.
- Very sturdy, manufactured from seawater-resistant aluminium and stainless steel protection cage.
- BExBG05 can be mounted in all operating positions.



protection system



operating temperature



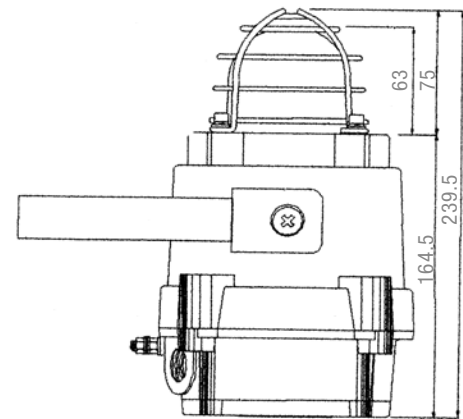
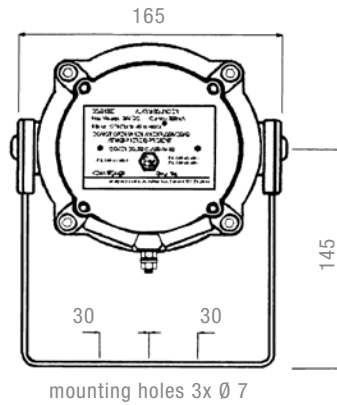
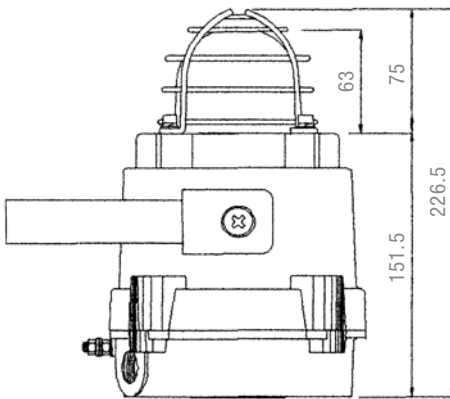
PRODUCT	AC	BExBG05		BExBG10		BExBG15		
Rated voltage		230 V	115 V	230 V	115 V	230 V	115 V	
		AC 50 60 Hz						
Operating range		±10 %						
Nominal current consumption		55 mA	140 mA	110 mA	250 mA	170 mA	360 mA	
PRODUCT	DC	BExBG05			BExBG10			BExBG15
Rated voltage		48 V	24 V	12 V	48 V	24 V	12 V	48 V
Operating range		±25 %						
Nominal current consumption		180 mA	300 mA	750 mA	340 mA	660 mA	1450 mA	480 mA
		860 mA						
PRODUCT		BExBG05D BExBG05E		BExBG10D BExBG10E		BExBG15D BExBG15E		
Type of protection		Ex d IP 67 / Ex de IP 66						
Explosion protection ¹		II2G Ex d IIC T4, T5 or T6 II2G Ex de IIC T4, T5 or T6 II2D Ex td A21 IP67 T85, T100 or T115		II2G Ex d IIC T4 or T5 II2G Ex de IIC T4 or T5 II2D Ex td A21 IP67 T95, T110 or T125				
Category (area of use)		2G (Zone 1, 2) 2D (Zone 21, 22)						
Certificate of conformity		KEMA 01 ATEX 2030						
Testing body		KEMA						
Flash energy		5 J		10 J		15 J		
Flash rate		60 flashes/min, stabilised						
Temperature class T		T4 / T115°C @ Ta -50 °C ... +70 °C T5 / T100°C @ Ta -50 °C ... +55 °C T6 / T85°C @ Ta -50 °C ... +40 °C		T4 / T125°C @ Ta -50 °C ... +70 °C T110°C @ Ta -50 °C ... +55 °C T5 / T85°C @ Ta -50 °C ... +40 °C				
Storage temperature		-50 °C ... +70 °C						
Relative humidity		90 %						
Duty cycle		100 %						
Service life of the light source		light emission still 70 % after 8,000,000 flashes						
Material	lens	/ / / / / / glass						
	housing	die-cast aluminium, resistant to salt water, marine grade LM6, red (RAL 3000)						
	protective cage and bracket	stainless steel						
Type of connection		1 x 4 mm ² or 2 x 2.5 mm ²						
Cable entry ¹		2 x M20, of which one open, optionally PG13.5 or 1/2" NPT						
Weight	Exd	2.45 kg						
	Exde	2.75 kg						










¹ Ex cable gland not included

DIMENSIONS

Ex d

Ex de

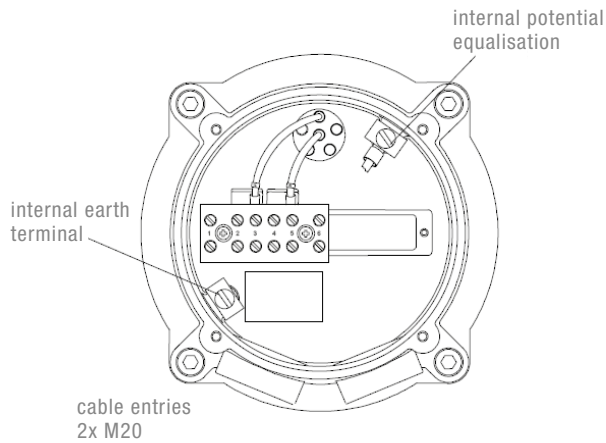


ARTICLE NO.	BExBG05-E		BExBG05-D	
Lens colour	230 V AC	24 V DC	230 V AC	24 V DC
	31130103000	31130803000	31131103000	31131803000
	31130104000	31130804000	31131104000	31131804000
	31130105000	31130805000	31131105000	31131805000
ARTICLE NO.	BExBG10-E		BExBG10-D	
Lens colour	230 V AC	24 V DC	230 V AC	24 V DC
	31120103000	31120803000	31121103000	31121803000
	31120104000	31120804000	31121104000	31121804000
	31120105000	31120805000	31121105000	31121805000
ARTICLE NO.	BExBG15-E		BExBG15-D	
Lens colour	230 V AC	24 V DC	230 V AC	24 V DC
	31110103000	31110803000	31111103000	31111803000
	31110104000	31110804000	31111104000	31111804000
	31110105000	31110805000	31111105000	31111805000

Article numbers for other colours and voltages on request.

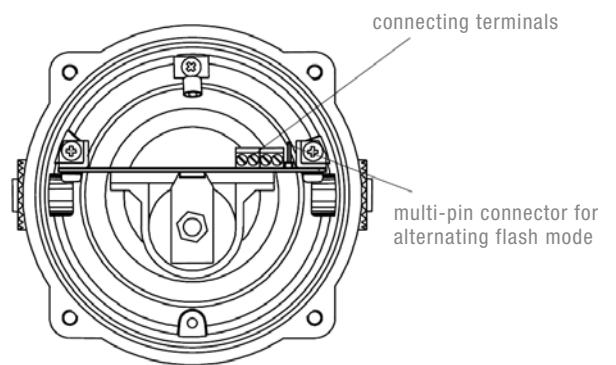
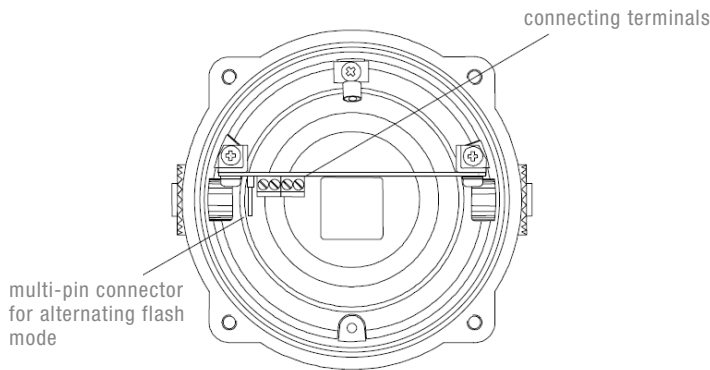
CONNECTION DIAGRAM

BExBG 15 | BExBG 10 | BExBG 05 – EEx e



BExBG 05 – EEx d

BExBG15 | BExBG 10 – EEx d



MANUFACTURER'S DECLARATION

We hereby declare that the explosion-protected flashing light with the type designation **BExBG05 ... 15 d or e ATEX** has been developed and manufactured in accordance with section 5.1.2 of EN 50014.

This declaration is based on compliance with the following regulations and standards:

94/9/EG	CE conformity
EN 50014	Electrical equipment for areas at risk of explosions – General requirements
EN 50018	Pressure-resistant encapsulation “d”
EN 50019	Enhanced safety “e”
EN 50281-1-1	Electrical equipment for use in areas with combustible dust
EN 60529	Types of protection by enclosure (IP code)
89/336/EWG	“Electromagnetic compatibility”

The Ex-BExBG05 – 15 d or e flashing lights are approved for use in potentially explosive areas in Zones 1, 2, 21 and 22 as per 94/9/EU.